

Intelligent AV Devices Data Sheet

Flexible, Faster Fault-Finding & Easier Installation

Product Overview

Morley-IAS's new modular range of Intelligent AV warning devices provides easier system configuration and flexibility. A common base across AV and detectors is available, allowing for easier installation and ordering.

These devices are all available with isolators, providing you with a flexible approach and allowing for easier fault-finding on the loop. please see page 4 for more details.

Individual tone and volume settings and sounder tone synchronisation can be adjusted from the panel enabling the sound intensity to be adjusted to suit the application.

The common installation base , B501AP is supplied with a shorting spring. This allows for the continuity of wiring to be tested before installing any devices. The Morley-IAS devices can then be fitted at the final commissioning stage, reducing the risk of damage during the first fix. At final commissioning the device is simply twisted into the base and the installation is complete.

This system provides a greater degree of flexibility to system designers, provides a more robust solution and saves time for the installer as all devices are interchangeable without the need to disconnect or disturb the wiring.



MORLEY  **IAS**

FIRE SYSTEMS

by Honeywell

Advantages

Faster installation

- Large cable access
- Rear or surface cable entry
- Loop continuity spring
- Automatic synchronisation of sounder

Flexible installation

- Low current draw enables more devices on loop
- Adjustable volume control (on device or from panel)
- Intense strobe output
- Deep and high IP base options

Reduced install errors and easy fault finding

- Positive “poke yoke” engagement
- Address tag for clear indication
- Anti-tamper feature
- In-built isolation options
- Simple familiar rotary wheel address controls

Reduced full life costs

- High quality robust materials for longer life
- UV stable materials
- Robust construction for added impact resistance

Reduced inventory count

- Common base with detectors (B501AP)
- Device protocol is backward compatible through inclusion SS CLIP Advanced Protocols
- 32 tone selection to cover many markets (on device or from panel)

Excellent system performance

- High efficiency piezo disk and horn profile generate excellent sound output
- Advanced protocol enabled controllable sound output, tone selection.
- High output LED technology and superior lens design optimize light outputs

Morley-IAS's AV range of high quality loop powered devices are designed to alert building occupants of an emergency. They utilise the Morley-IAS B501AP base for improved installation flexibility and and integrate seamlessly with Morley-IAS S200A detectors. When triggered by the fire panel the powerful sounders and intense strobes give a visible and audible warning. A choice of output levels and tones make the devices suitable for a wide variety of applications.



Electrical

Base Beacon/ Base Sounder/ Base Sounder-Beacon/ Wall Beacon/ Wall Sounder/ Wall Sounder-Beacon

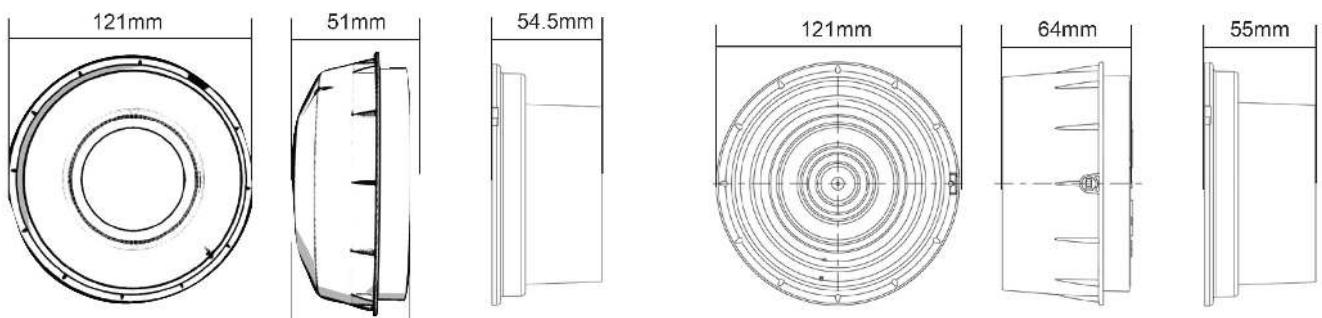
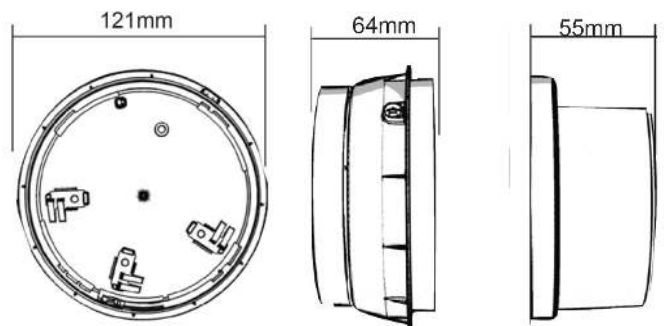
Supply Voltage	15 -28 VDC
Standby current	225µA
Max. current consumption	3.5mA / 11.4mA ¹ / 14.7mA ¹
Max. sound output	N/A / 97dB(A) +/-3dB @1metre ²

Mechanical

	Base Sounder	Base sounder Beacon	Wall Beacon	Wall Sounder	Wall Sounder Beacon
Height	64mm	64mm	51mm	64mm	64mm
Diameter			121mm		
Weight	200g	202g	238g	168g	238g
Body Colour	white	white	N/A	red	N/A
Lens Colour	N/A	clear	red	N/A	red
Light Colour	N/A	red	red	N/A	red
Beacon Flash Rate	N/A	1Hx	1Hz	N/A	1Hz
Number of tones	32	32	N/A	32	32
Volume Settings	High, Medium, Low	Hight, Medium, Low	N/A	High, Medium, Low	High, Medium, Low
Wire Gauge for Terminals	1.5 - 2.5mm ² max				

Environmental Specifications

- Temperature Range: -25°C to +70°C†
- Humidity: Max. 95% relative humidity (non-condensing)
- IP Rating: IP24 with low profile (B501AP) base
IP44 with deep bases (BRR, BPW)
IP65 for MI-BSO-PP-N/I with sealed deep base (WRR)
- Approvals
- Approved to: EN54-3, EN54-17 and CPD



Part Numbers

<i>New Part Number</i>	<i>Description</i>	<i>Related Old Part Number(s)</i>
Base Sounder Strobes		
MI-BSS-PC-N	Base sounder strobe with a white skirt and a clear lens, non-isolated.*	MI-IBSDB-PW-CL / MI-IBSDB-W-CL
MI-BSS-PC-I	Base sounder strobe with a white skirt and a clear lens, isolated.*	MI-IBSDB-PW-CL-I / MI-IBSDB-W-CL-I
Base Sounders		
MI-BSO-PP-N	Base sounder with a white skirt and body, non-isolated.*	MI-IBSD-W / MI-IBSD-PW
MI-BSO-PP-I	Base sounder with a white skirt and body, isolated.*	MI-IBSD-W-I / MI-IBSD-PW-I
Wall Strobes		
MI-WST-PR-N	Wall strobe with a white skirt and a red lens, non-isolated.*	MI-BEAC-RD
MI-WST-PR-I	Wall strobe with a white skirt and a red lens, isolated.*	MI-BEAC-RD-I
Wall Sounder Strobes		
MI-WSS-PR-N	Wall sounder strobe with a white skirt and a red lens, non-isolated.*	MI-WSDB-R-RD / MI-WSDB-W-RD
MI-WSS-PR-I	Wall sounder strobe with a white skirt and a red lens, isolated.*	MI-WSDB-R-RD-I / MI-WSDB-W-RD-I
Wall Sounders		
MI-WSO-PR-N	Wall sounder with a white skirt and a red body, non-isolated.*	MI-WSD-R
MI-WSO-PR-I	Wall sounder with a white skirt and a red body, isolated.*	MI-WSD-R-I
MI-WSO-PP-N	Wall sounder with a white skirt and body, non-isolated.*	MI-WSD-W
MI-WSO-PP-I	Wall sounder with a white skirt and body, isolated.*	MI-WSD-W-I
Bases		
B501AP	Analogue base with SEMS screw connections for isolated and non-isolated detectors and IAV devices.	LPBW
BRR	Addressable deep base, Red, for isolated and non-isolated detectors and IAV devices. (includes B501-AP)	SDBR
BPW	Addressable deep base, White, for isolated and non-isolated detectors and IAV devices. (includes B501-AP)	SDBW
WRR	Addressable sealed deep base, Red, for isolated and non-isolated detectors and IAV devices. (includes B501-AP)	WDBR

* Requires B501APbase



Honeywell Life Safety - System Sensor
702, 7th Floor, B-Wing, Reliable Tech Park,
Thane-Belapur Road, Airoli, Navi Mumbai - 400708
+91-22-6765 0721
+91-22 6765 0730
marcom.hls@honeywell.com
www.morley-ias.co.uk

